



Prius

Rear Skirt

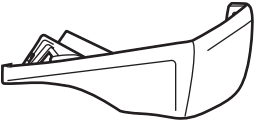
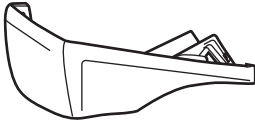




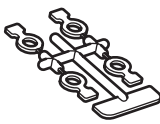




Installation instructions



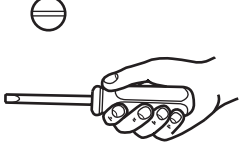


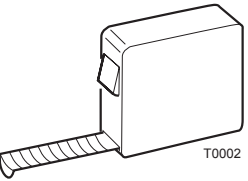
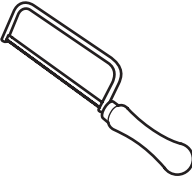
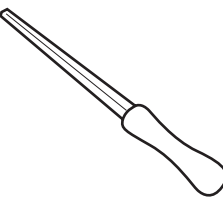
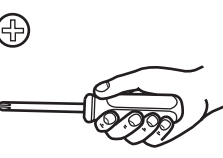
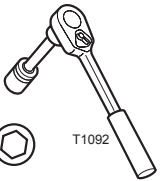
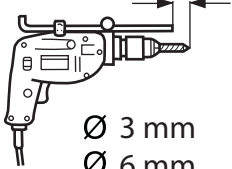
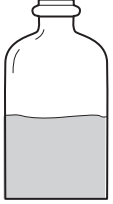
Model year: 04/2009
Vehicle code: **W30L-A****W
Part number: 08158-47810

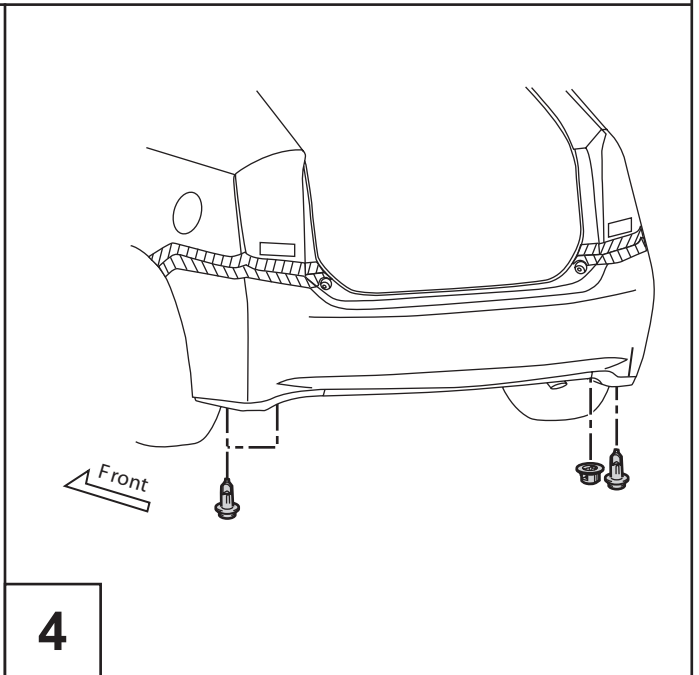
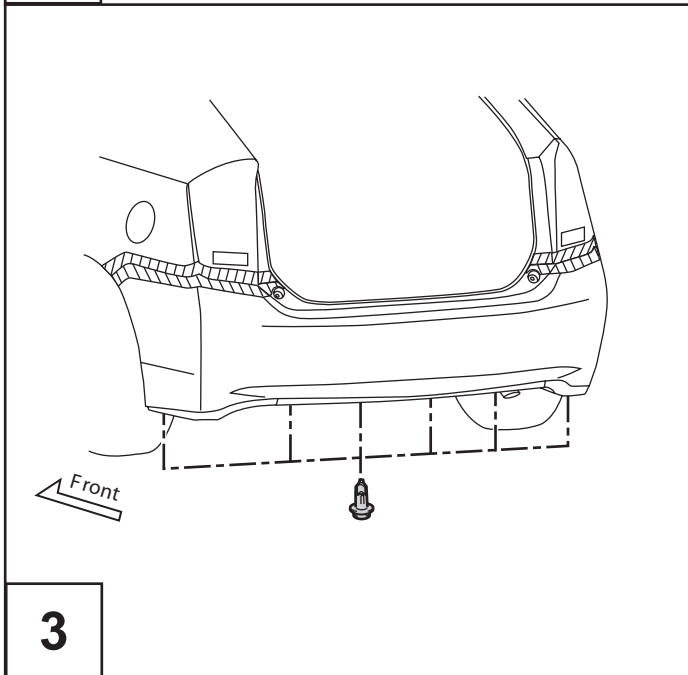
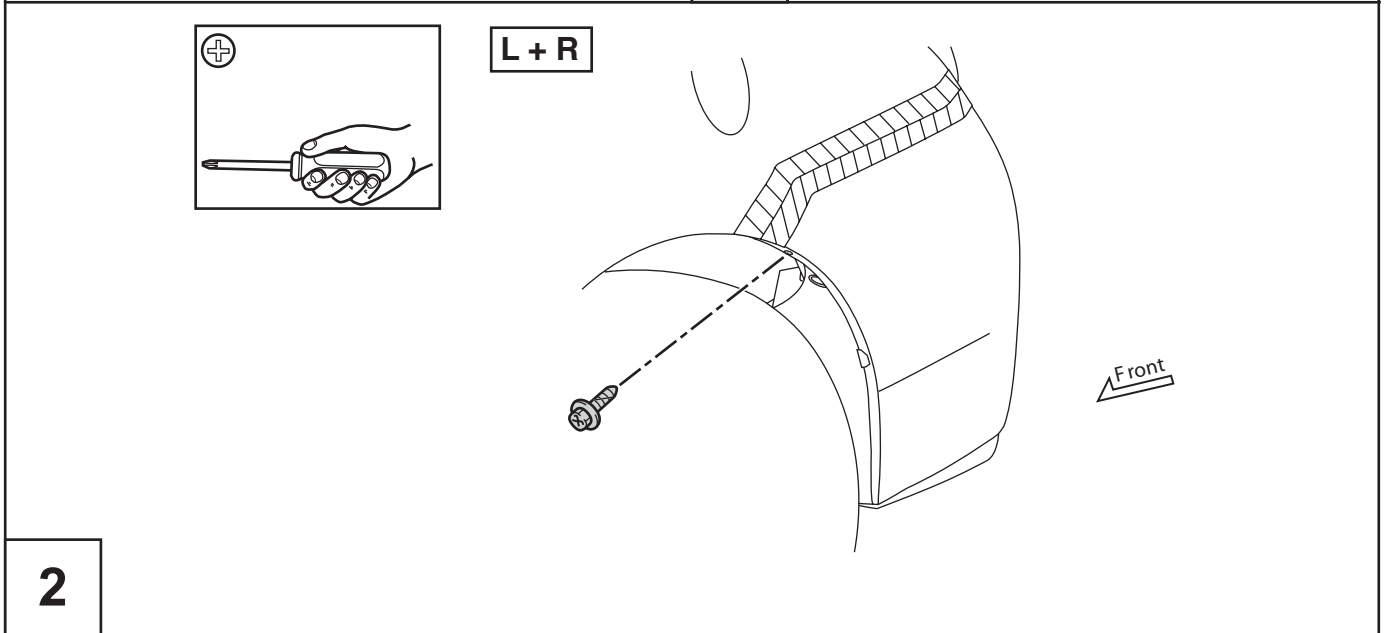
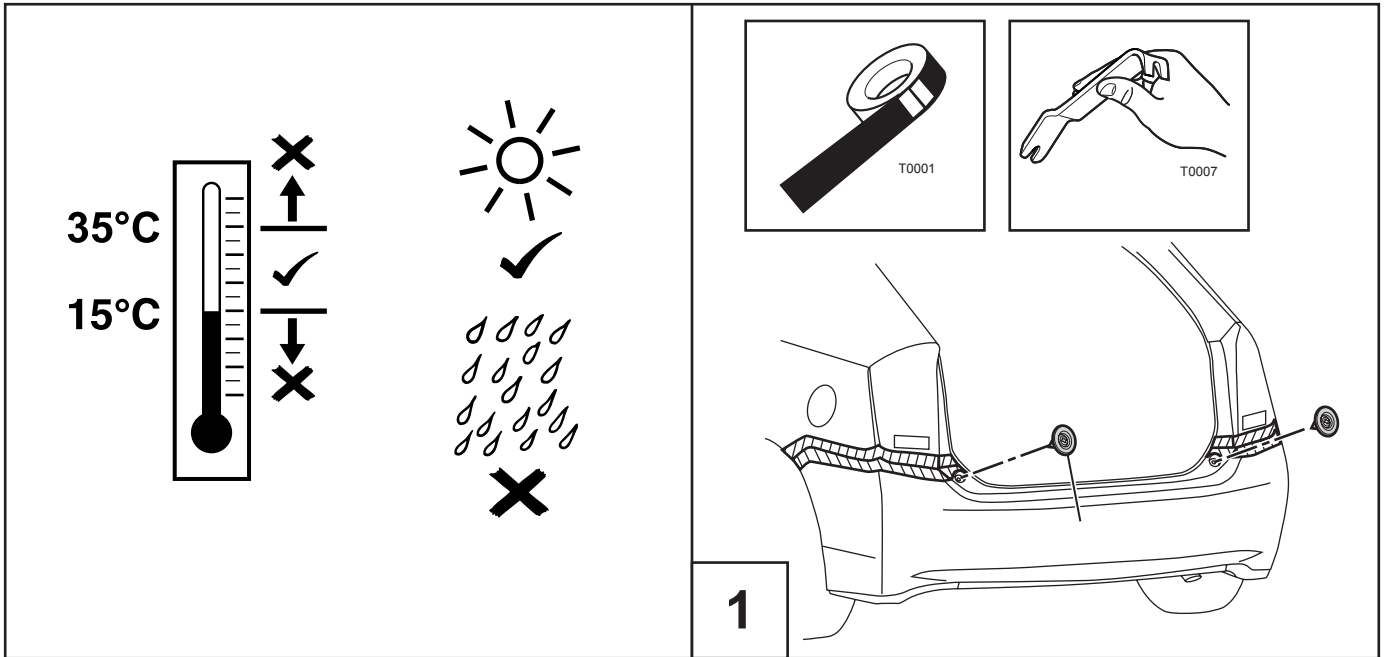
Manual reference number: AIM 002 108-0

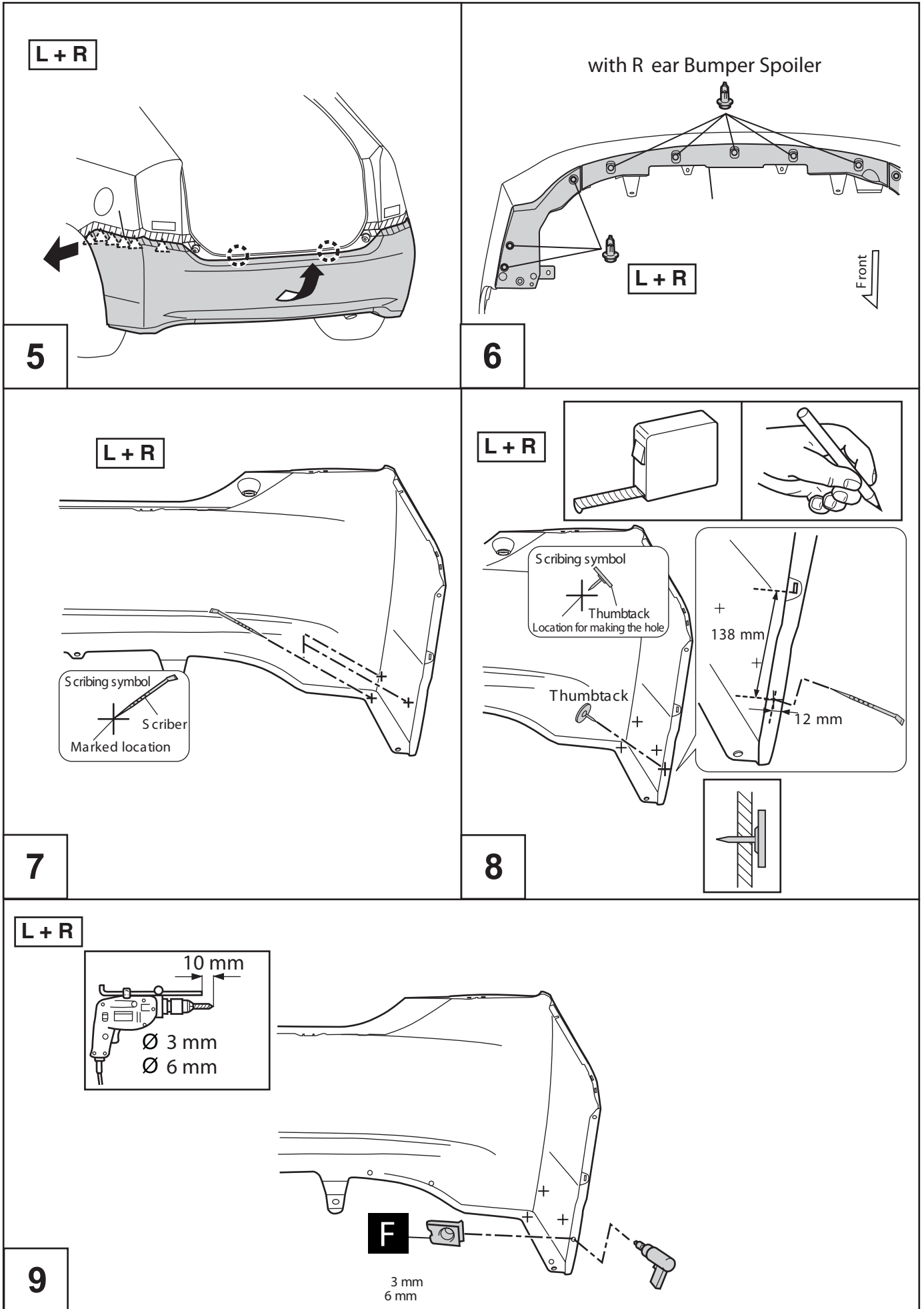
Revision Record

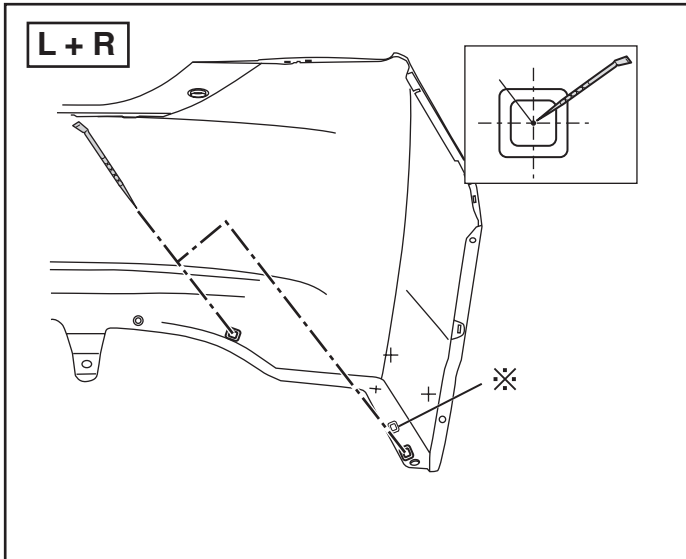
Rev. No.	Date	Page	Picture	Update	New	Deleted

A  1x	B  1x			
C  1x	D  10x	E  2x	F  2x	
G  2x	H  8x	I  1x	J  6x	K  1x

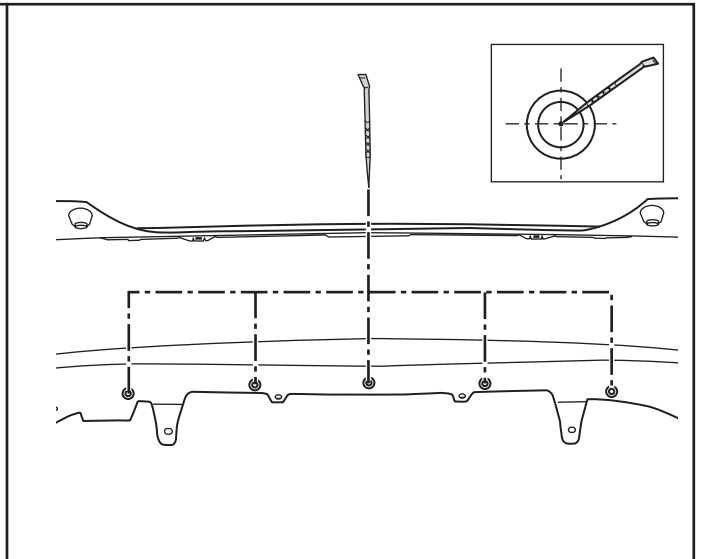
 T0001	 T0007	 -		
 T0002			 +	 T1092 10 mm
 Ø 3 mm Ø 6 mm Ø 9 mm	 Sikkens M600 Spiess Hecker 7799 Panel Degreaser PY469-CL001-50 alternative 50/50 mix of isopropyl alcohol and water			



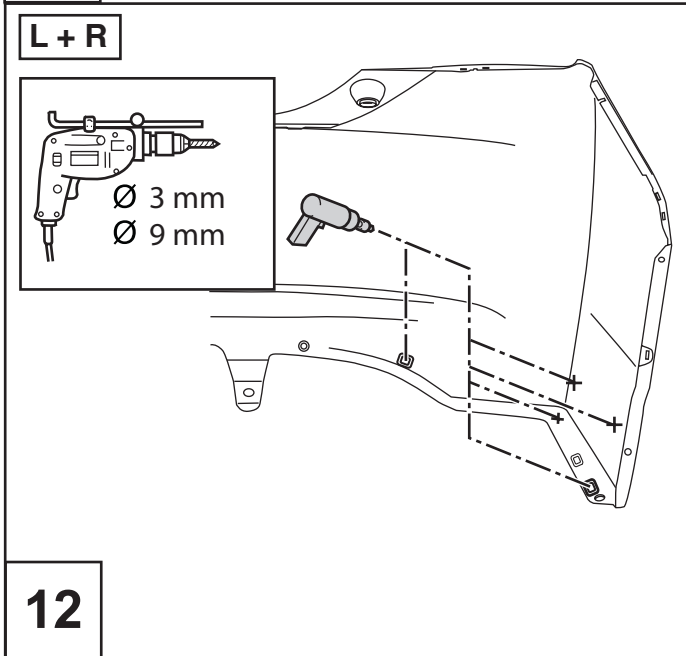




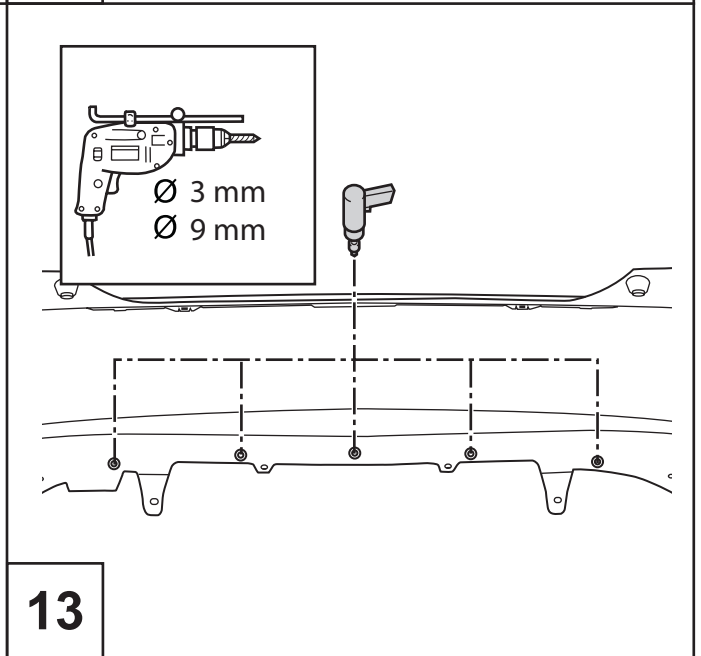
10



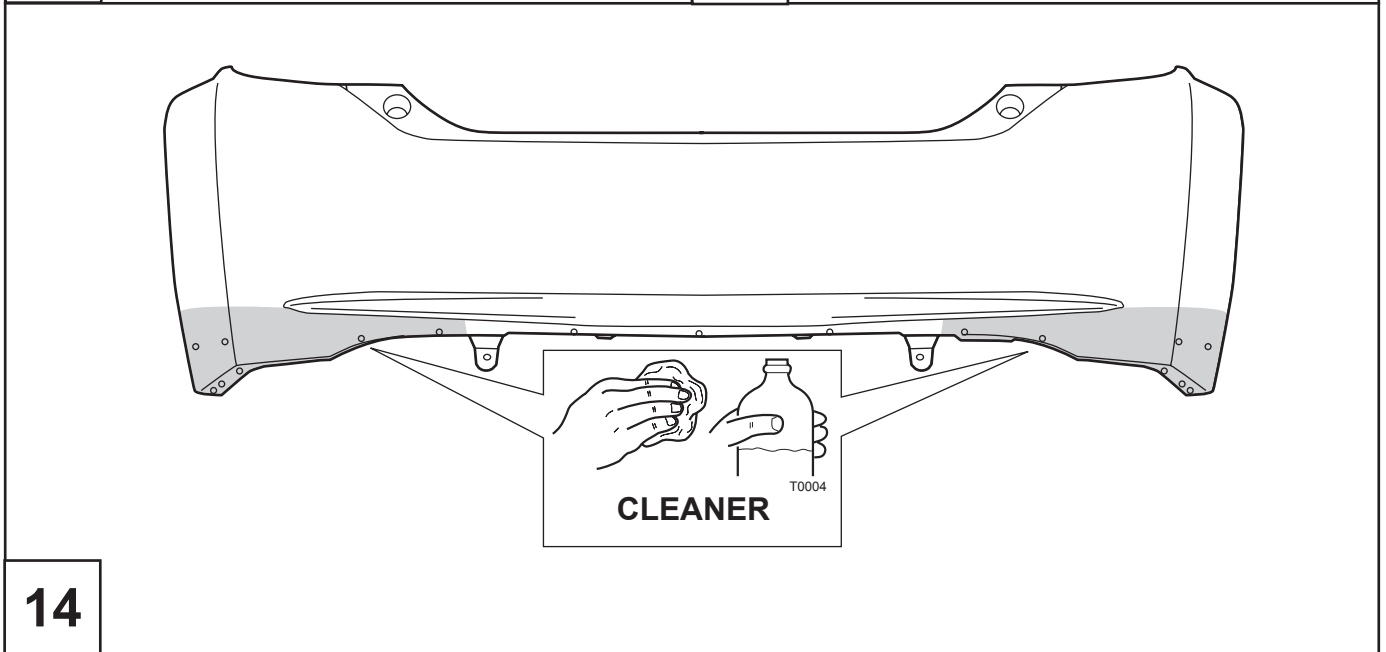
11



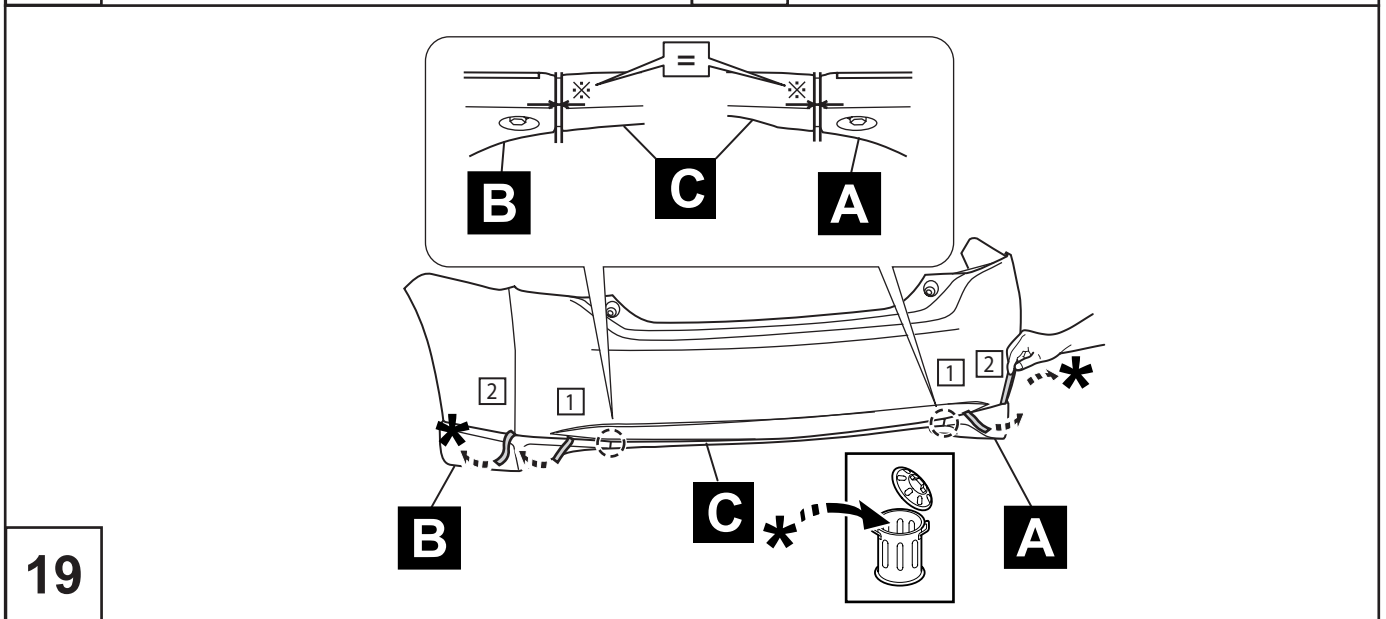
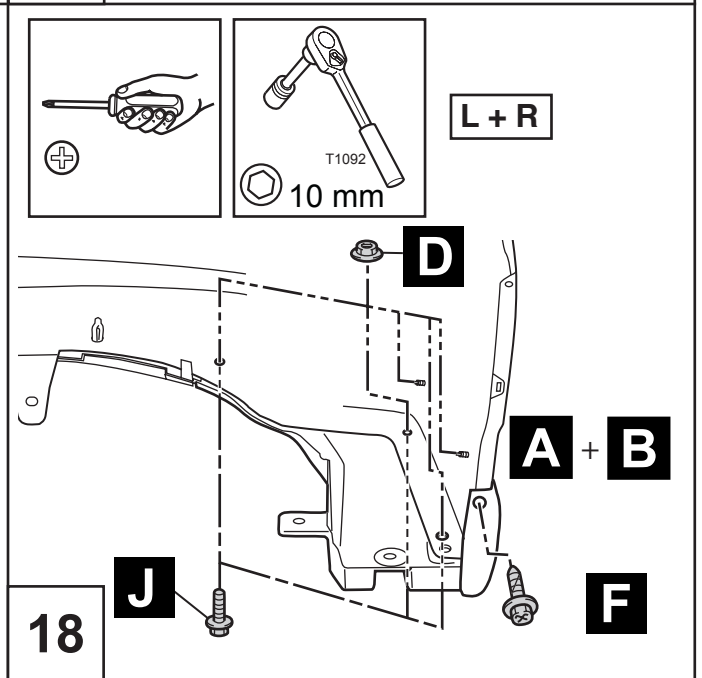
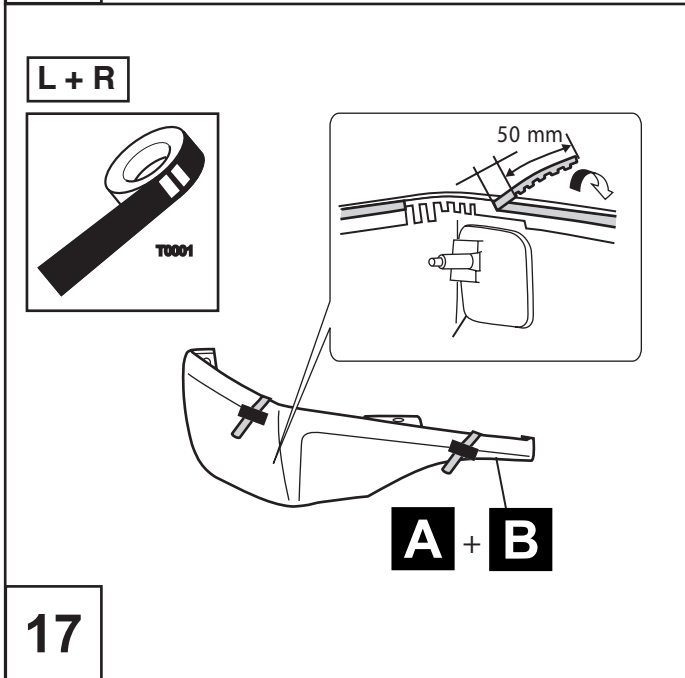
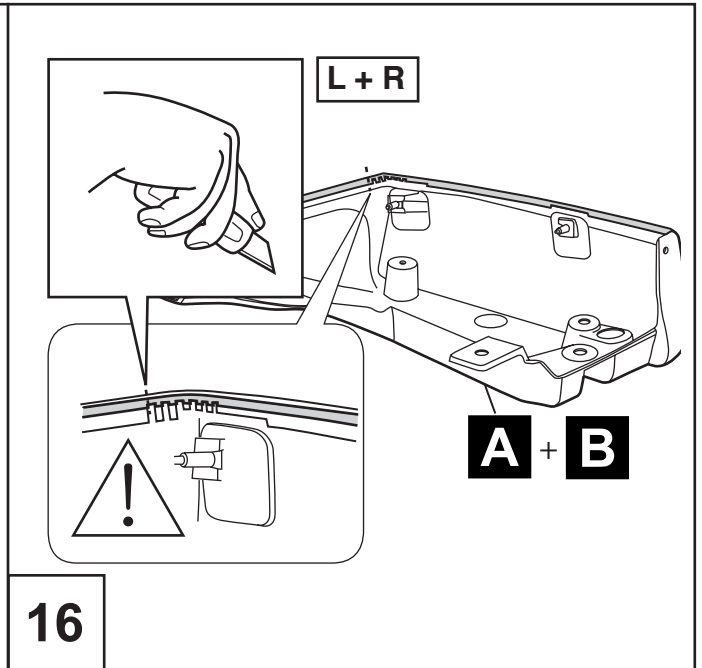
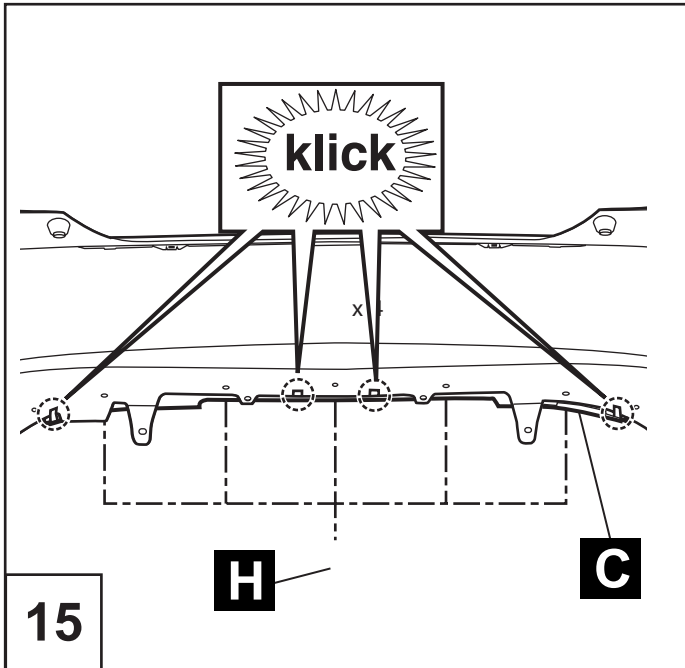
12

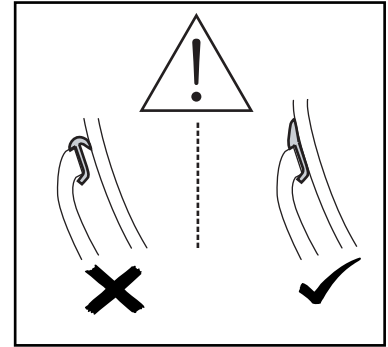
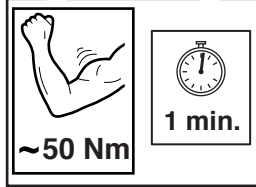
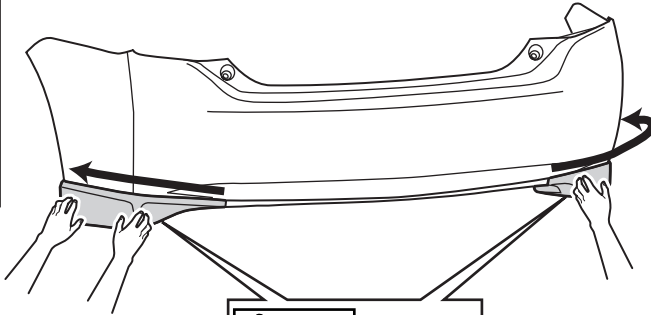
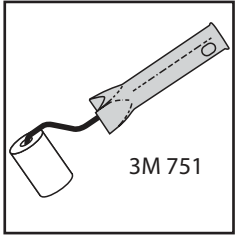


13

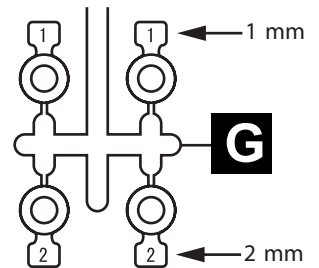
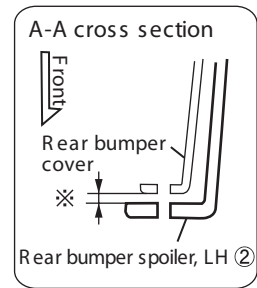
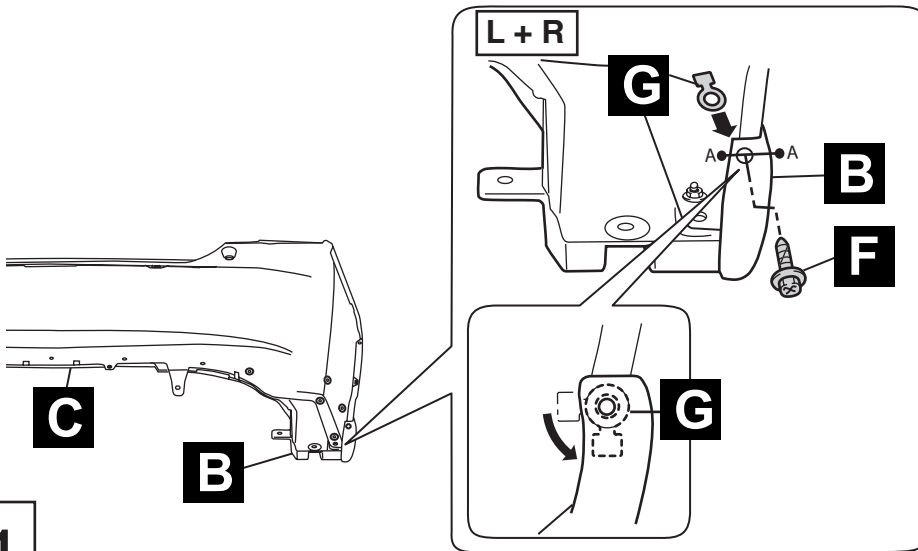


14

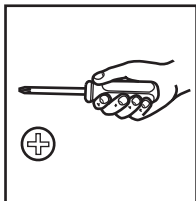
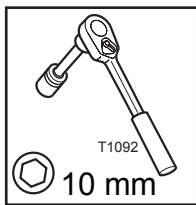
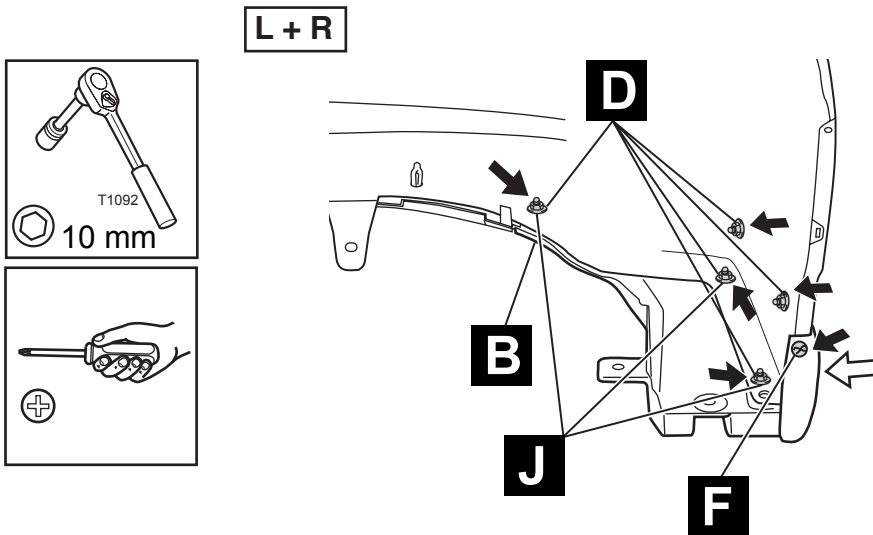




20

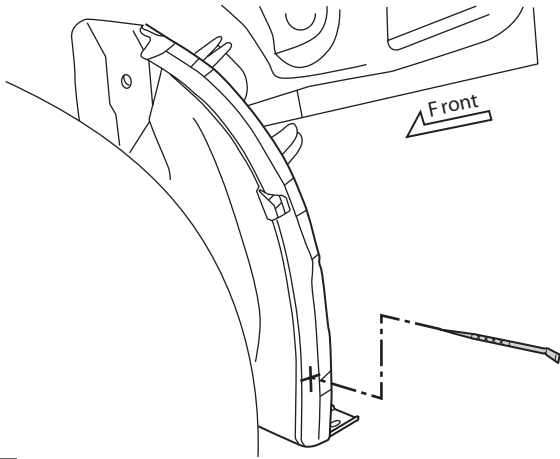


21



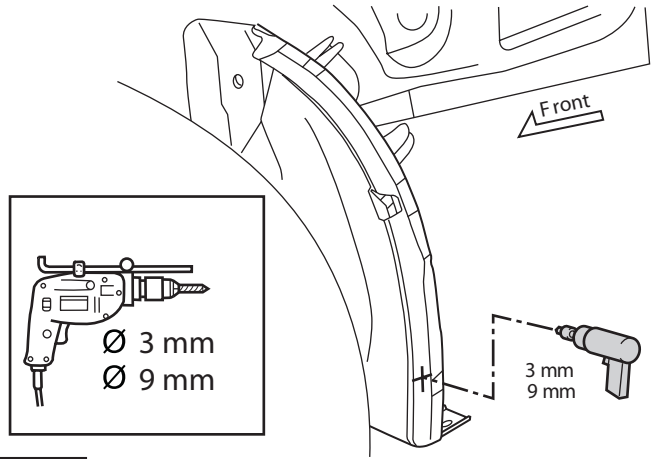
22

L+R



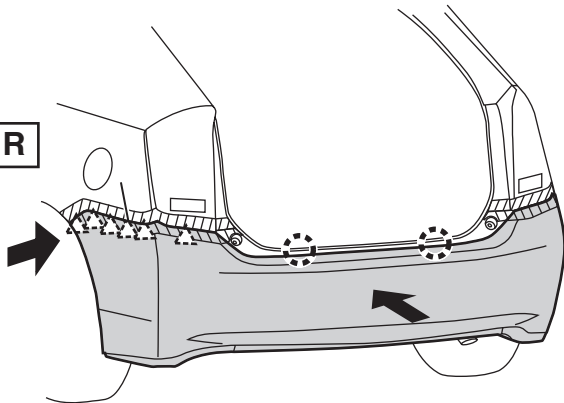
23

L+R

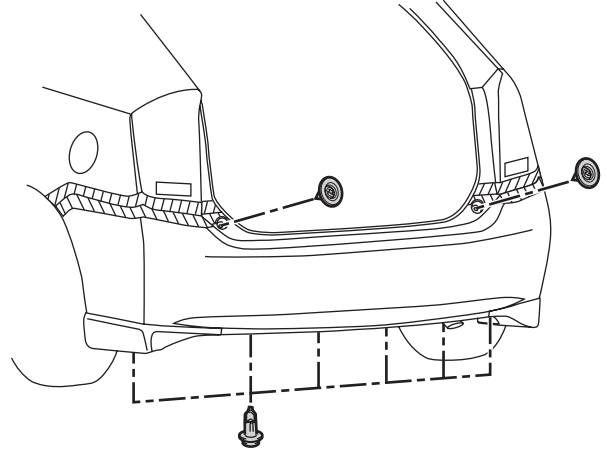


24

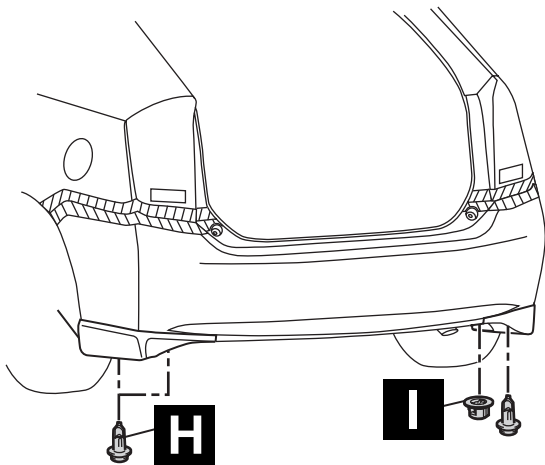
L+R



25

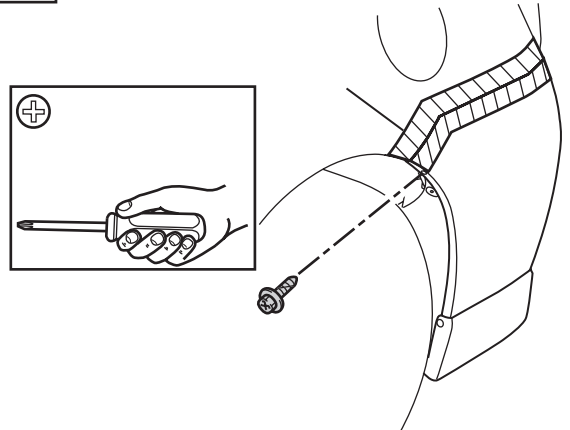


26



27

L+R



28