



# Prius

## Front Spoiler

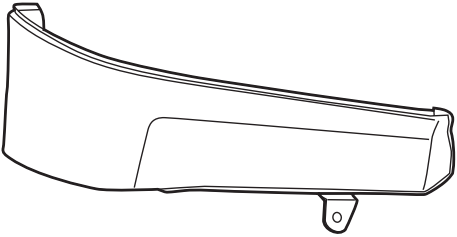
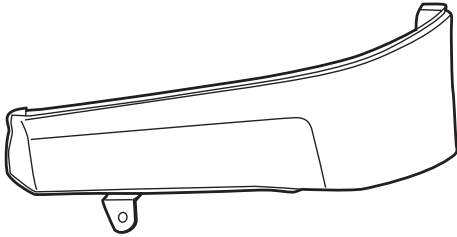



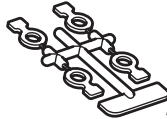

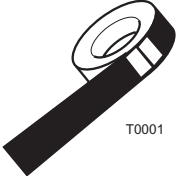

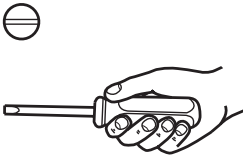

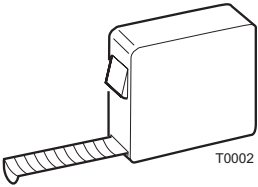
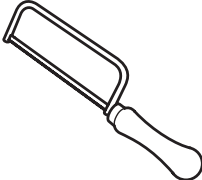

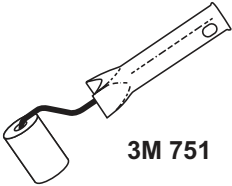
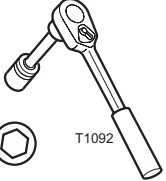
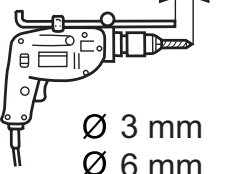

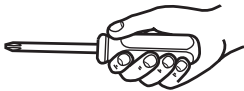
Installation instructions

Model year: 2009  
Vehicle code: \*\*W30L-A\*\*\*\*W  
Part number: 08154-47810

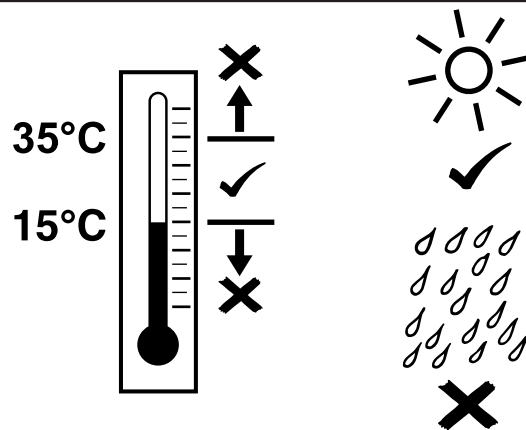
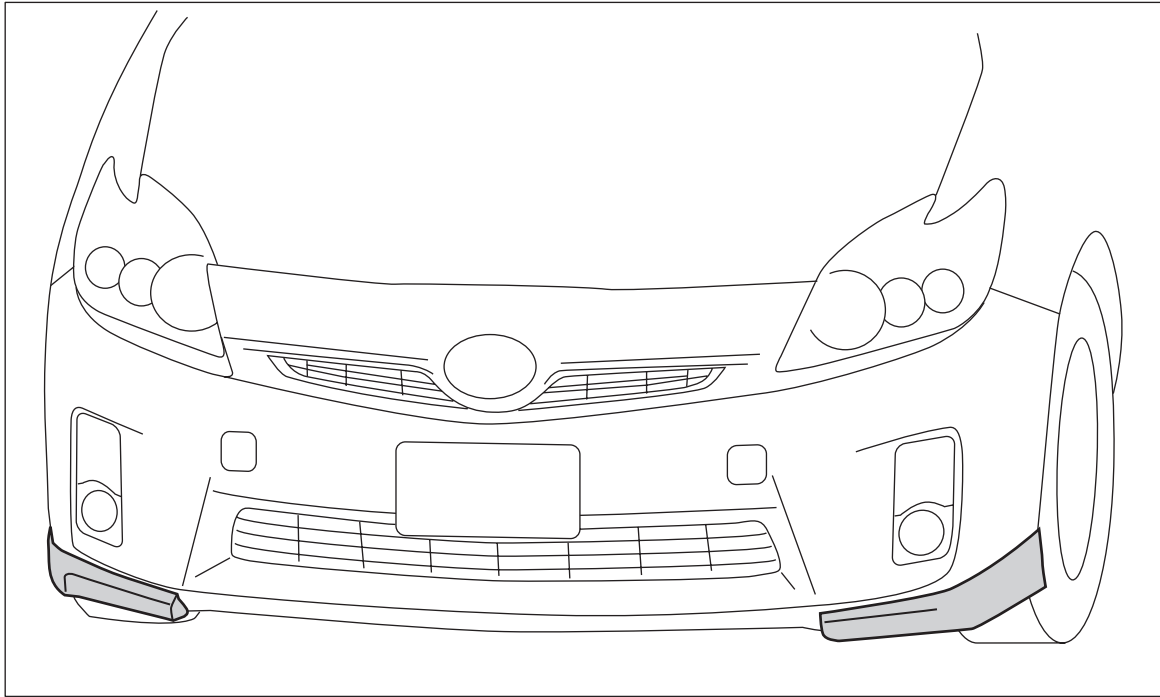
Manual reference number: AIM 002 109-0

# Revision Record

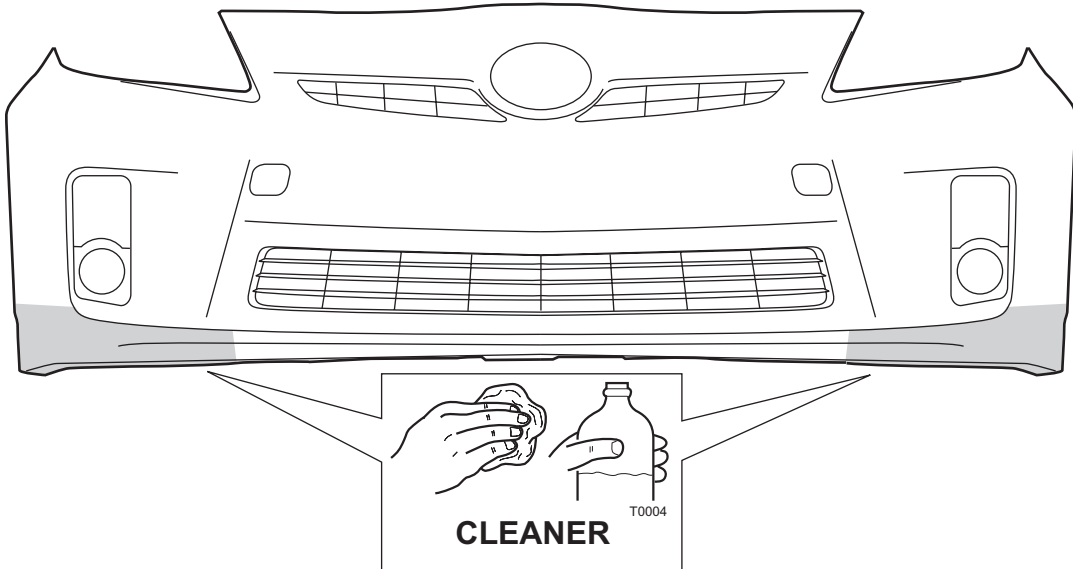
Rev. No.	Date	Page	Picture	Update	New	Deleted

<p><b>A</b></p>  <p>1x</p>	<p><b>B</b></p>  <p>1x</p>			
<p><b>C</b></p>  <p>4x</p>	<p><b>D</b></p>  <p>2x</p>	<p><b>E</b></p>  <p>4x</p>	<p><b>F</b></p>  <p>2x</p>	<p><b>G</b></p>  <p>1x</p>
 <p>T0001</p>	 <p>T0007</p>			
 <p>T0002</p>			 <p>3M 751</p>	
 <p>T1092</p> <p>10 mm</p>	 <p>Ø 3 mm Ø 6 mm Ø 9 mm</p>	 <p>CLEANER</p> <p>T0004</p>		

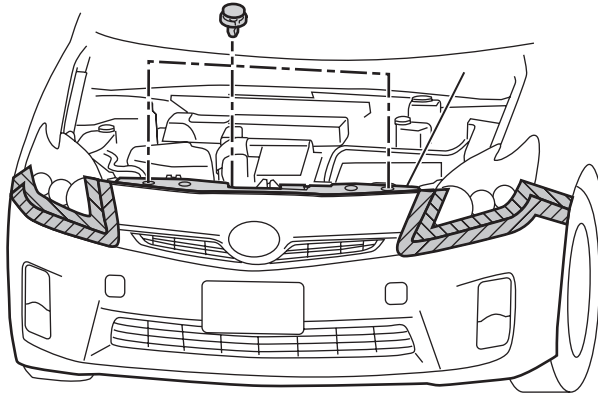
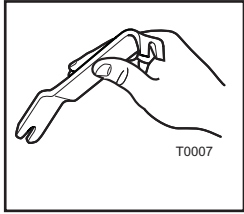
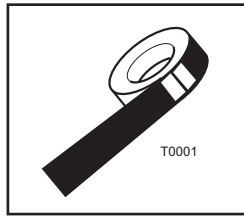
## Overview of Installation



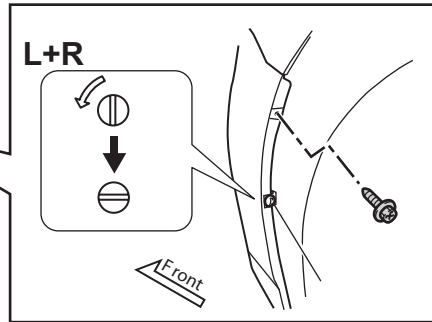
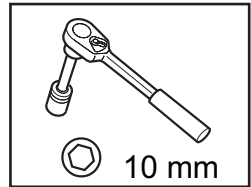
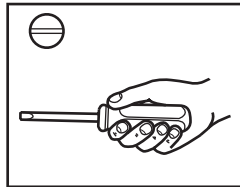
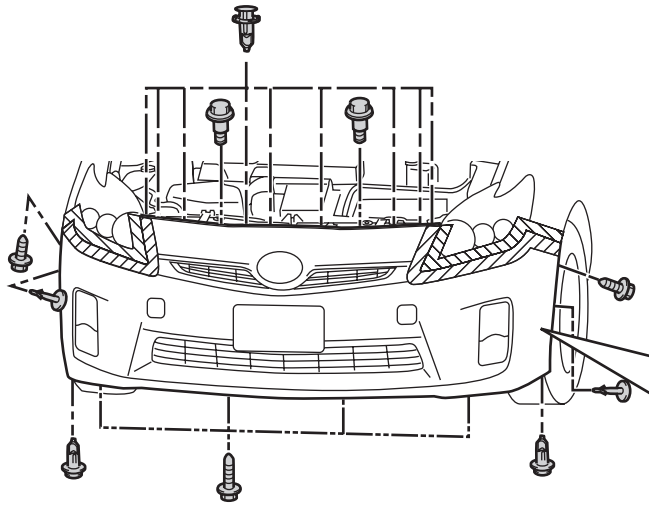
1



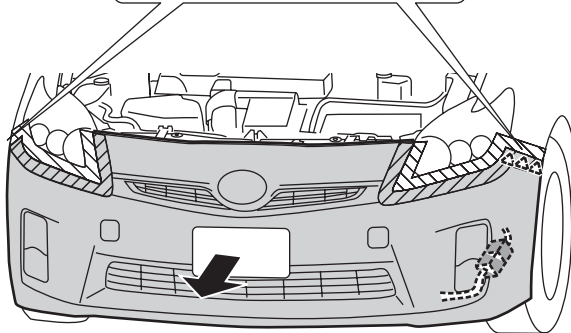
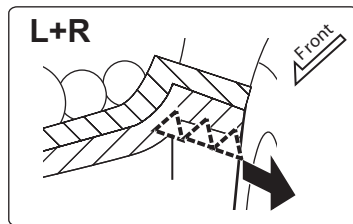
2



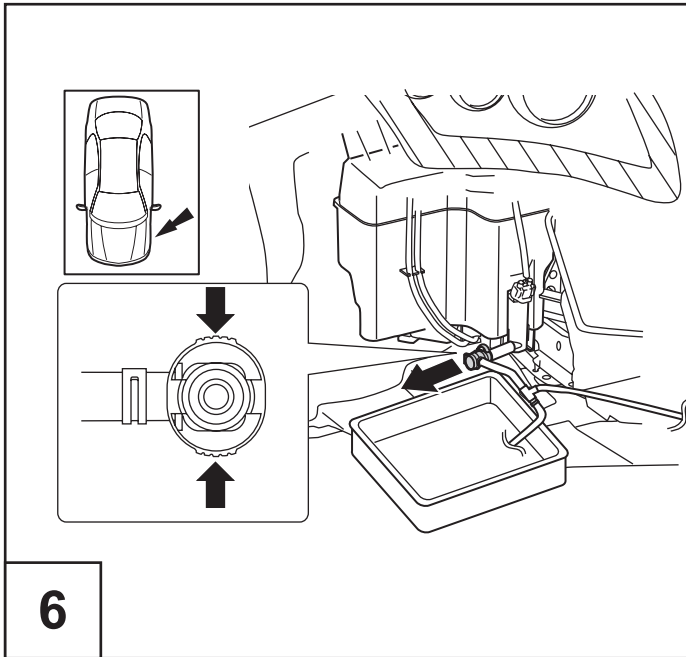
3



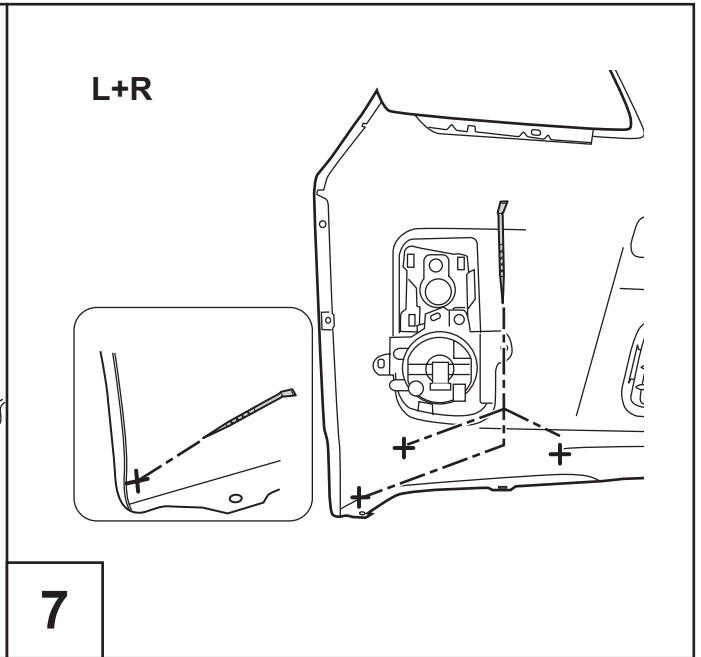
4



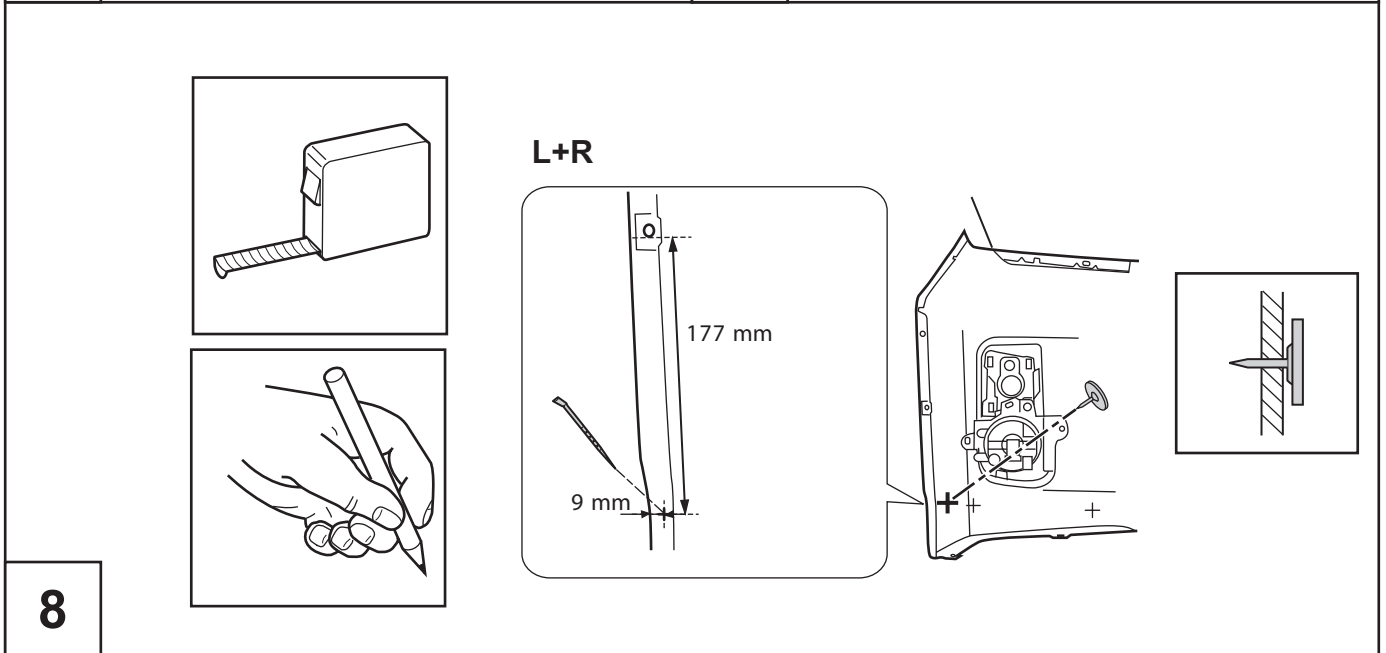
5



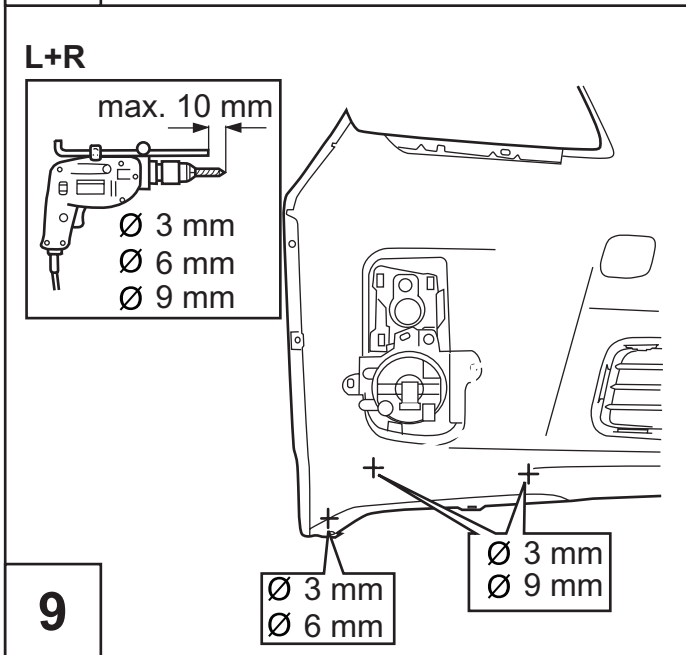
6



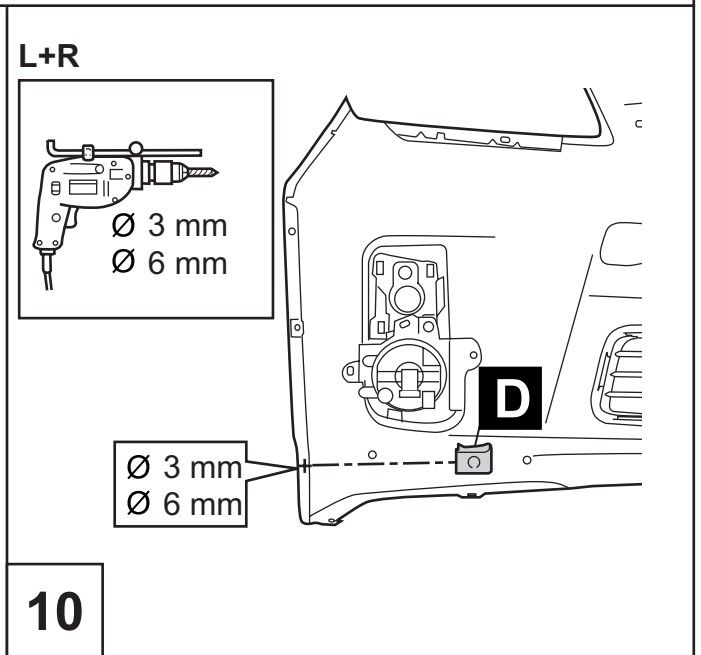
7



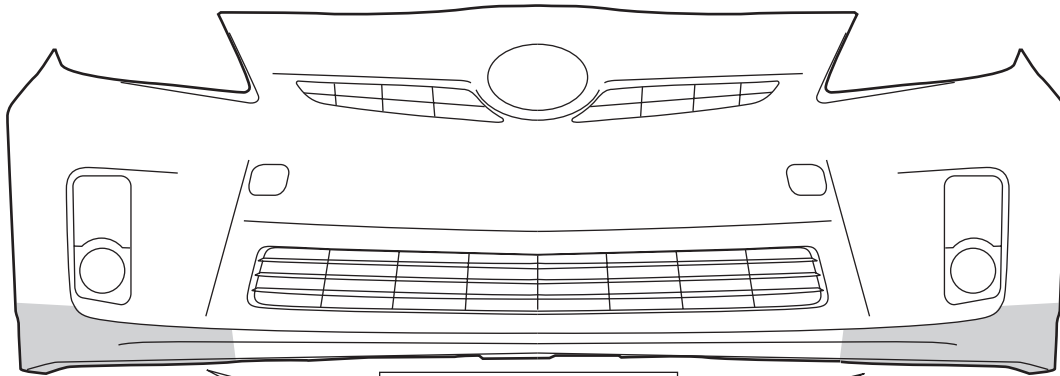
8



9

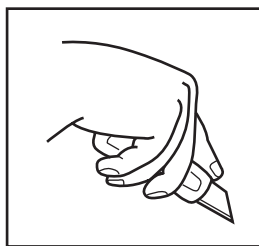


10

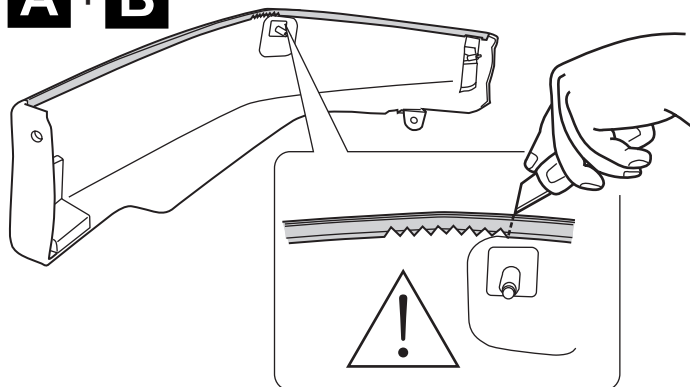


11

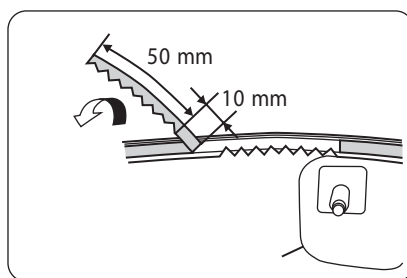
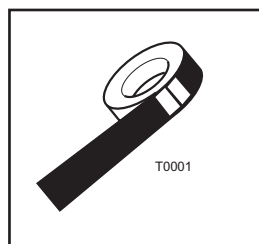
L+R



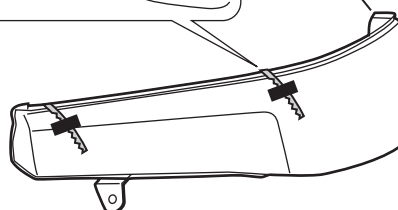
**A + B**



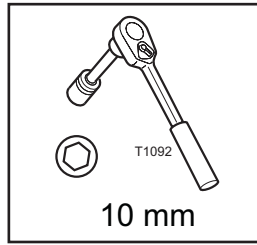
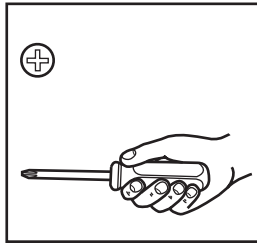
12



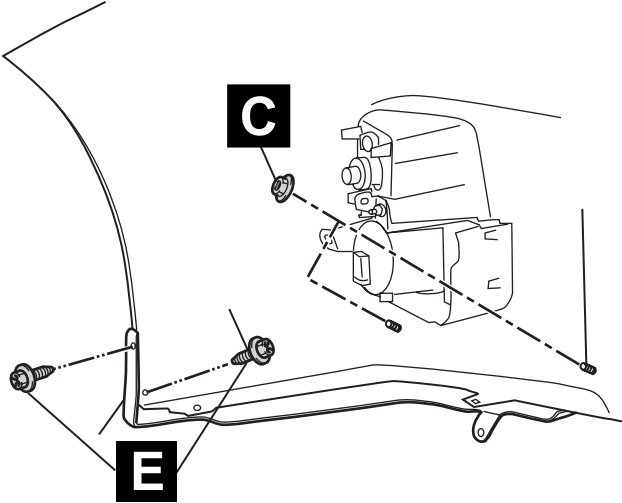
**A + B**



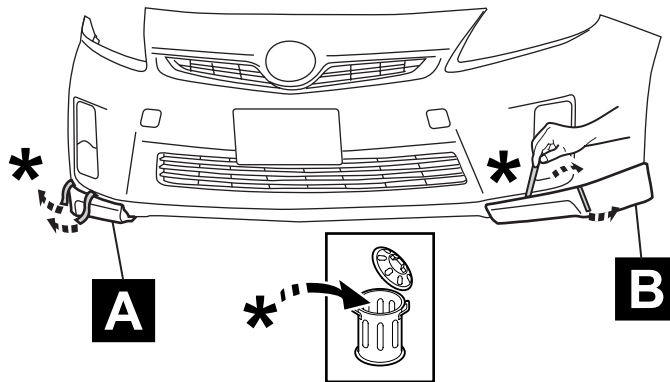
13



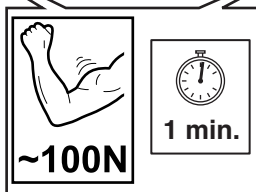
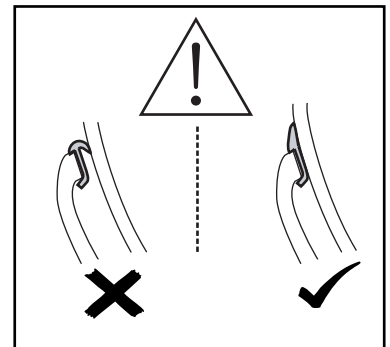
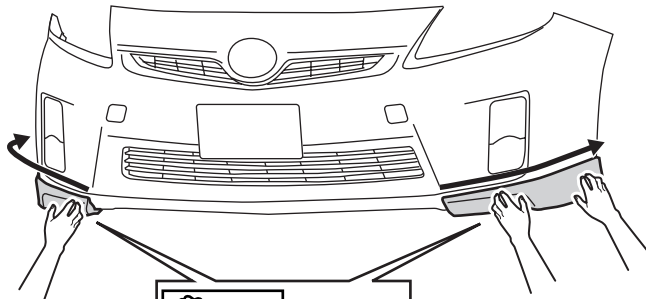
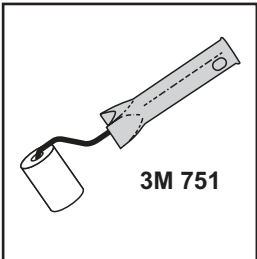
L+R



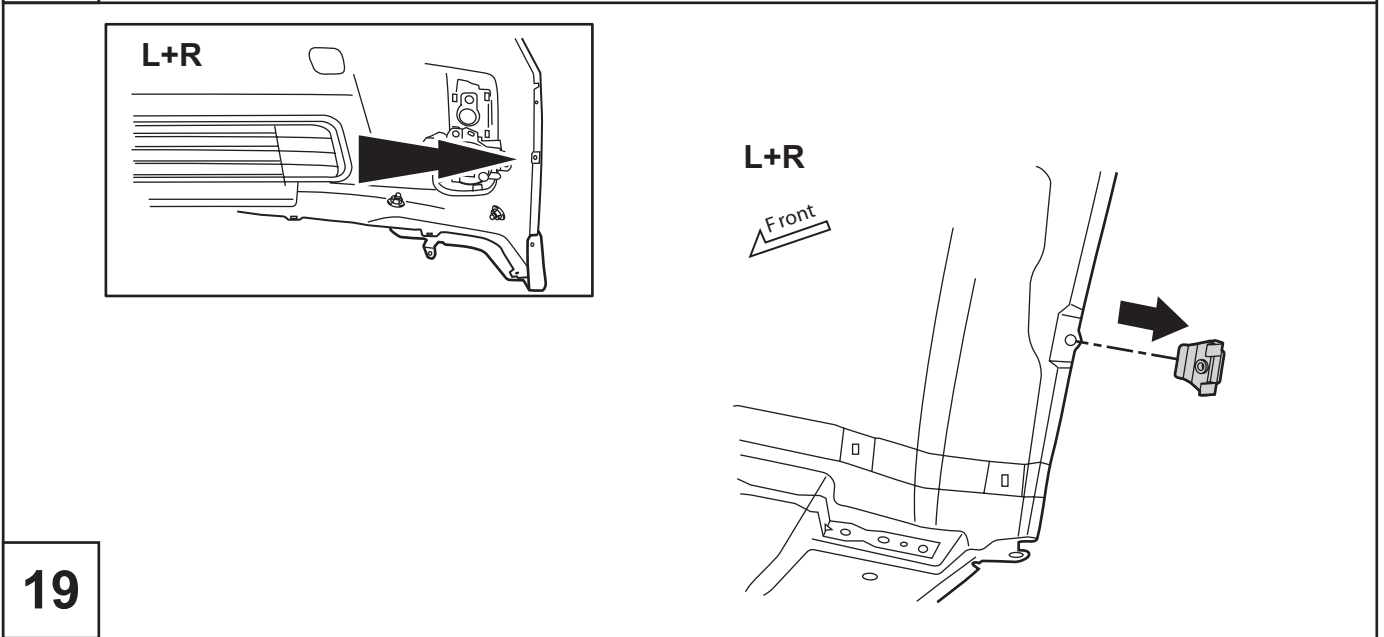
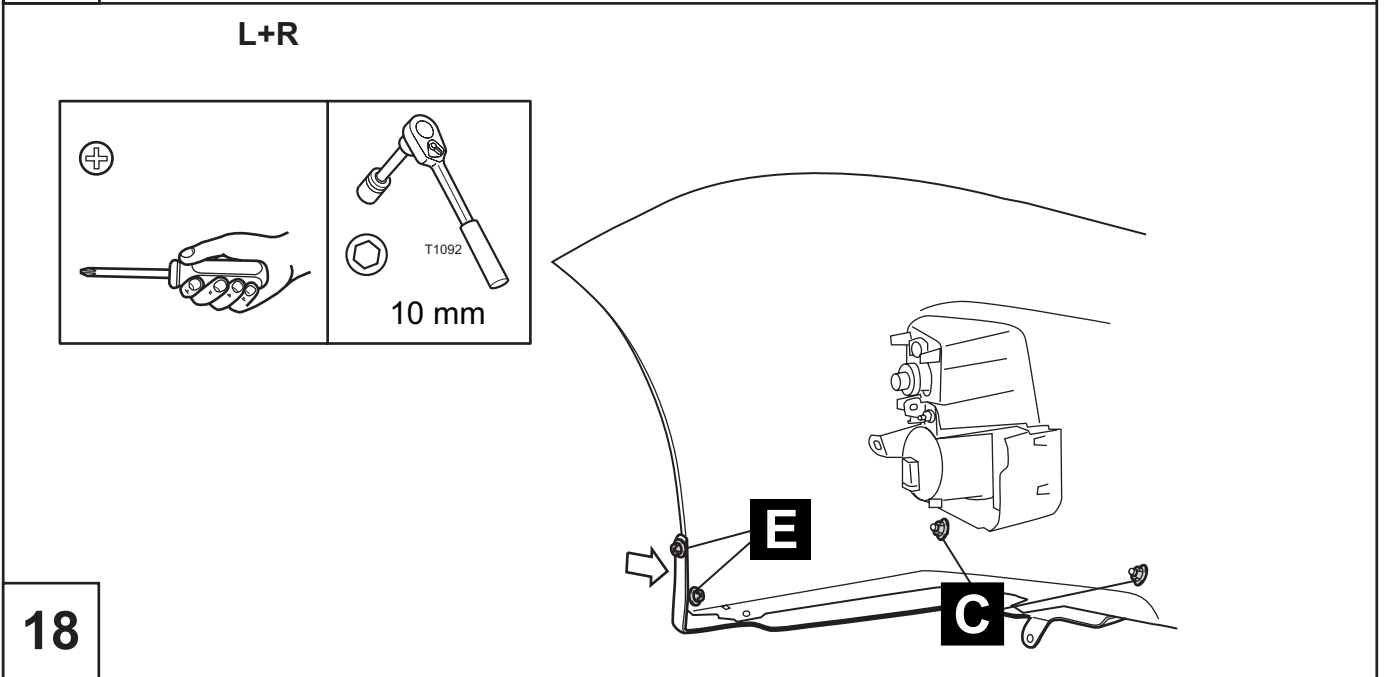
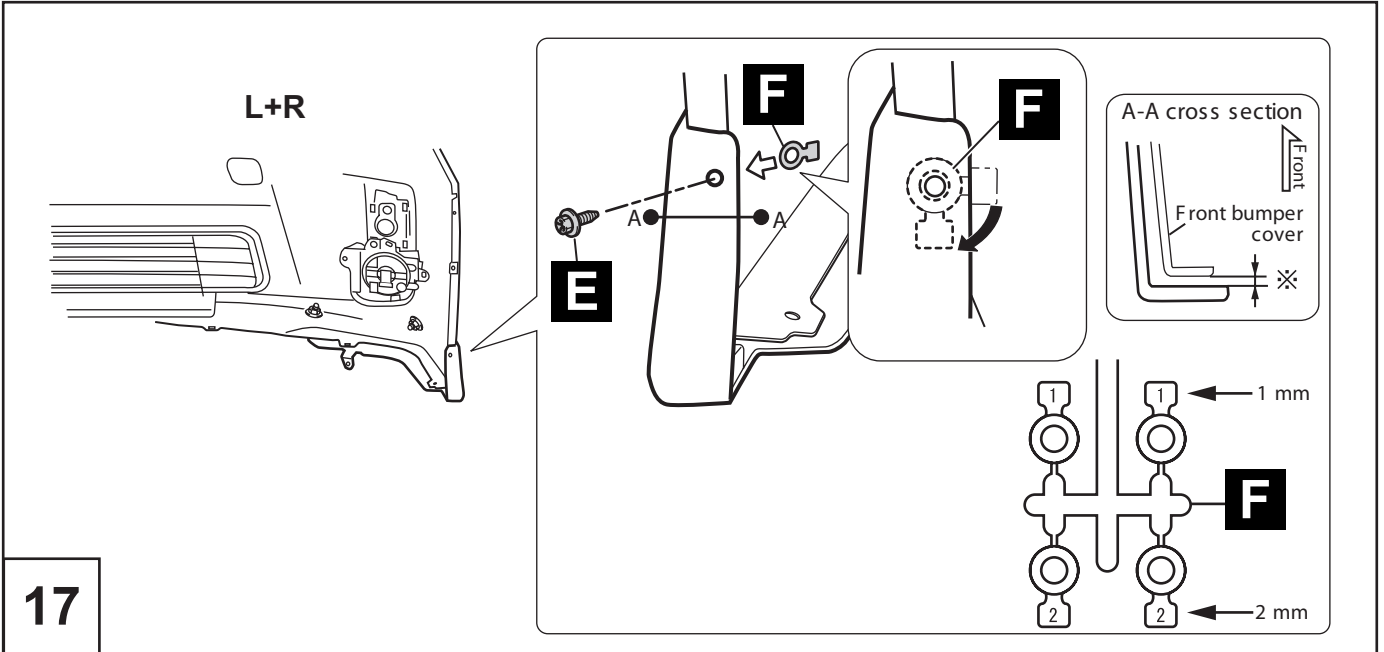
14

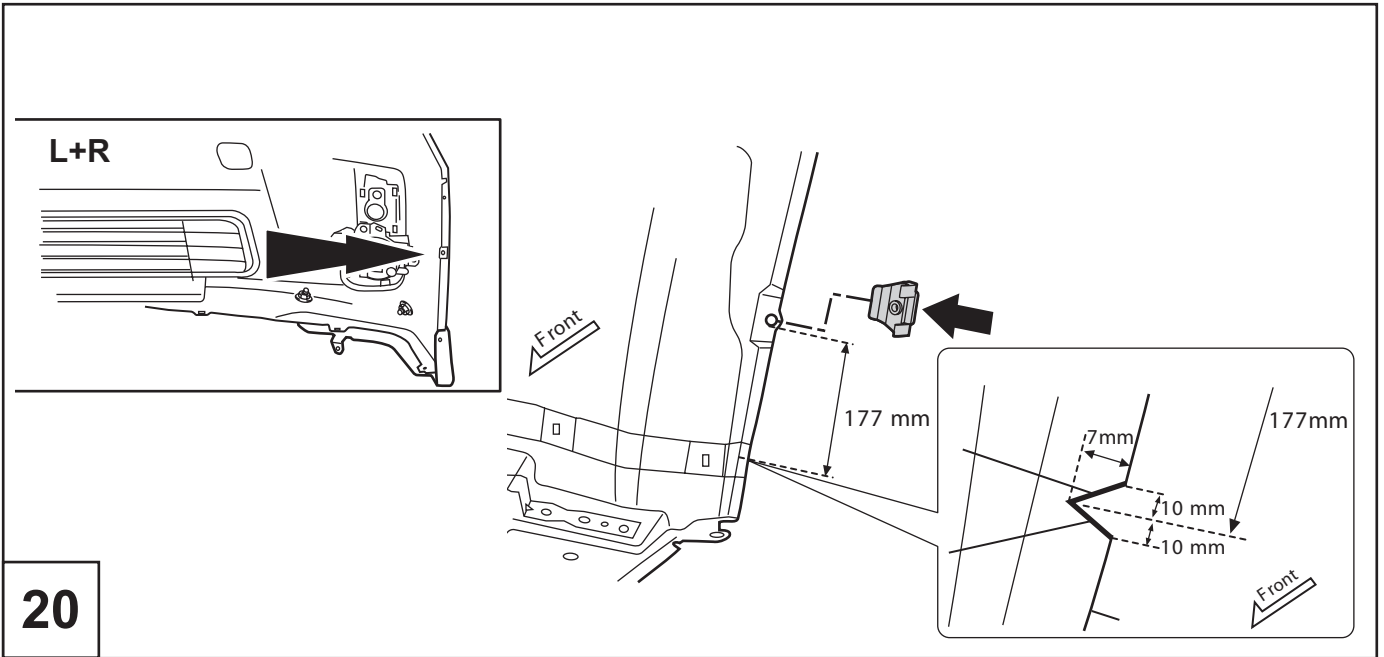


15

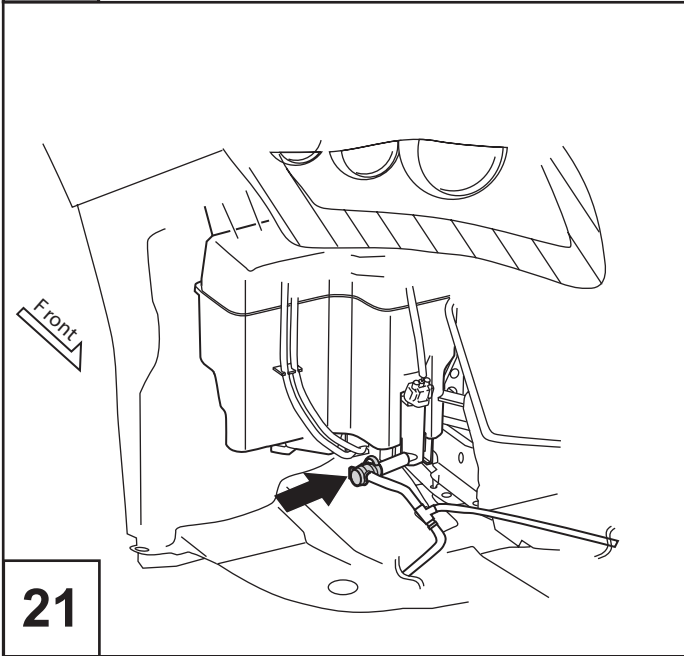


16

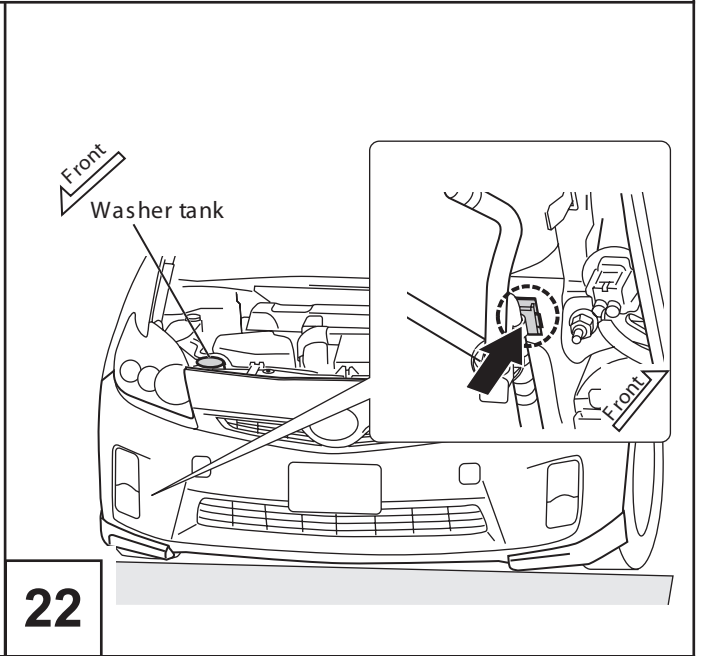




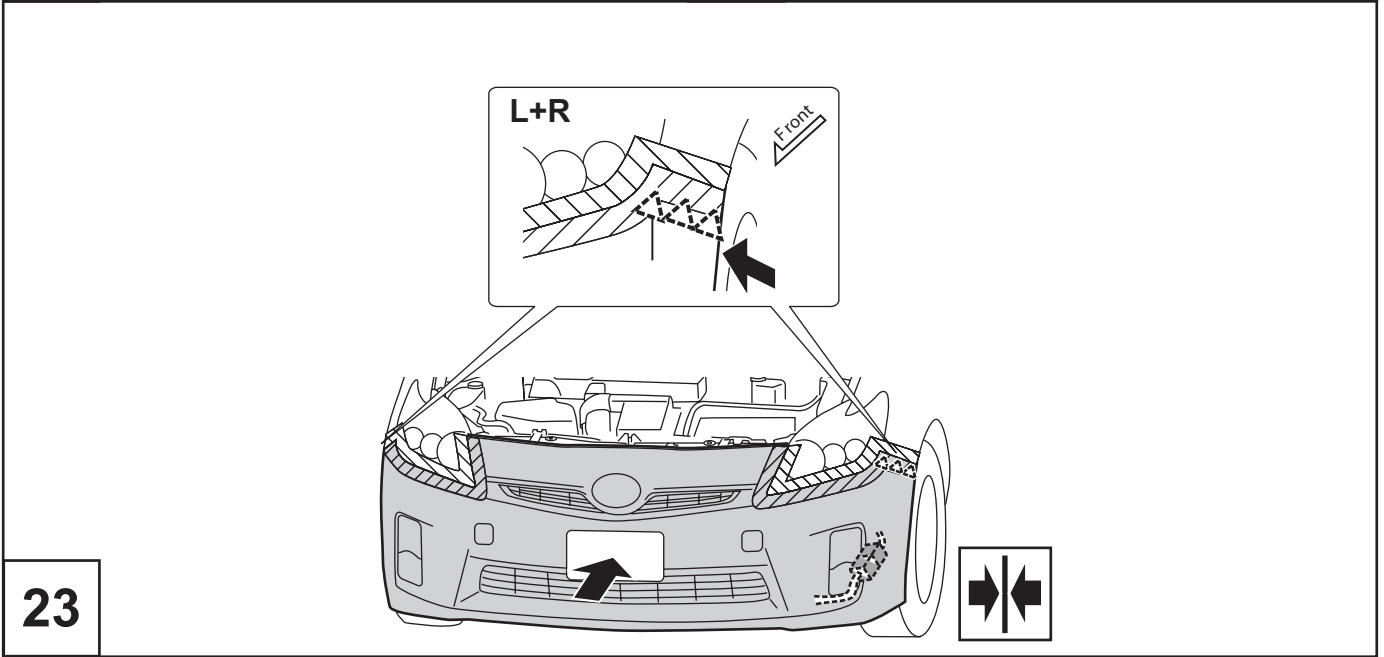
**20**



**21**

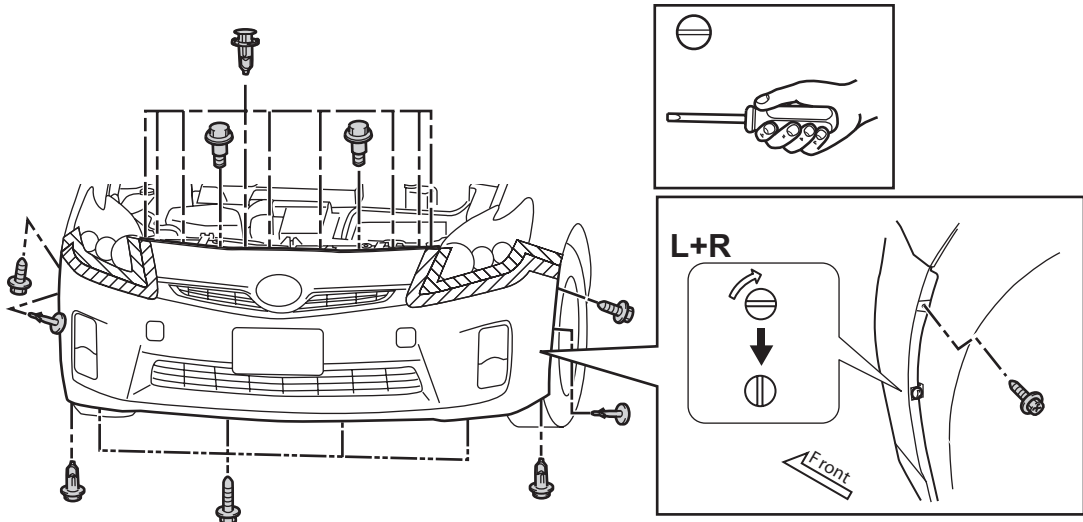


**22**



**23**

24



25

